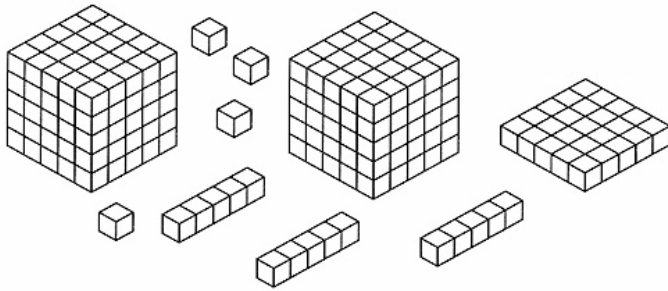
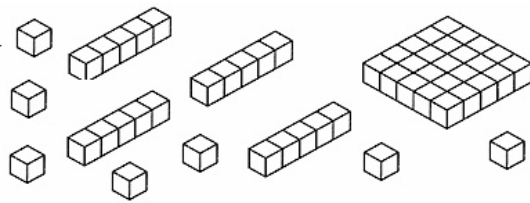


Xmania Numeration System

Use the Xmanian numeration system to record the numbers of cubes shown below.



How many? _____

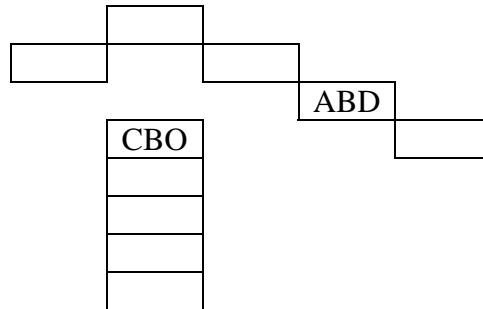
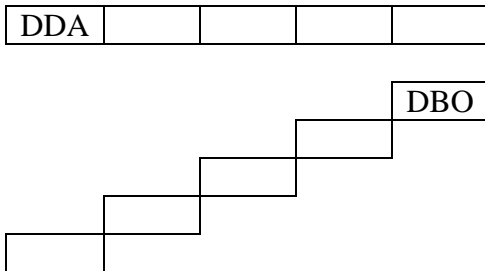


How many? _____

Complete the following table according to the Xmanian numeration system.

A	B	C	D	AO
AA	AB	AC		
	BB			
DA				

Fill in the square below as though the patterns were laid on top of an extension of the Xmanian number table.



What patterns are you noticing in the number tables?